

► **FEATURES**

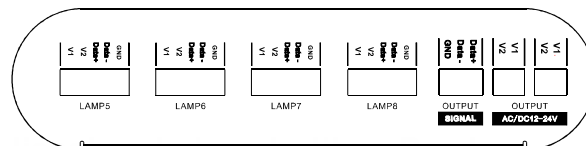
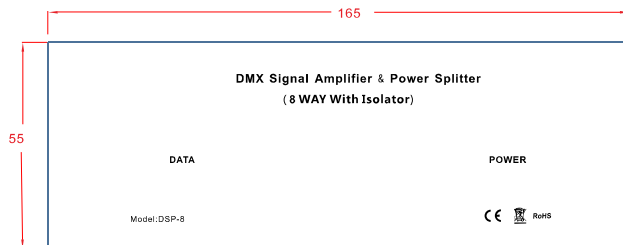
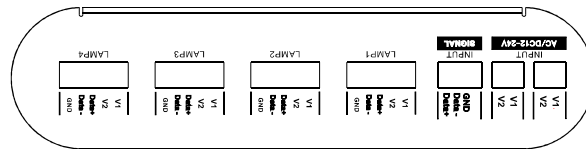
- Signal isolation and amplification
- Power splitter
- 8 Way output connect 8 lights



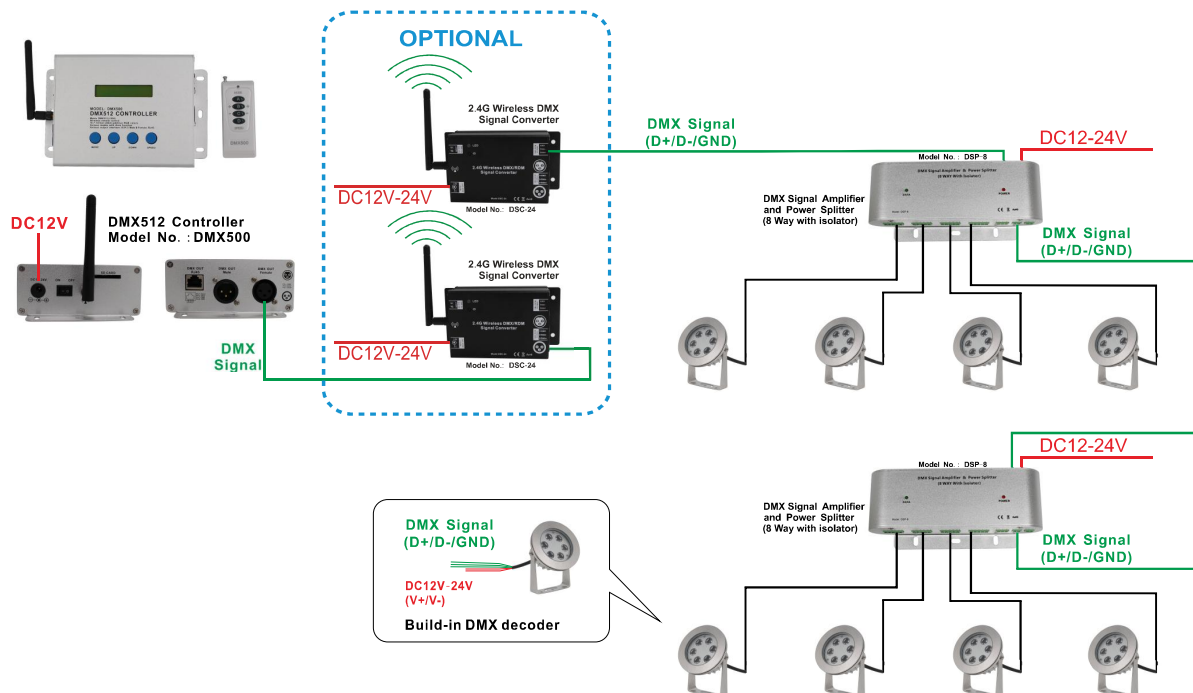
► **SPECIFICATION**

<b>INPUT INTERFACE</b>	2 x 2pin Green Terminals (DC12-24V) 1 x 3pin Green Terminals (DMX IN)
<b>OUTPUT INTERFACE</b>	2 x 2pin Green Terminals (DC12-24V) 1 x 3pin Green Terminals (DMX OUT) 8 x 5pin Green Terminals (connect 8 lights max. )
<b>INPUT/OUTPUT SIGNAL</b>	DMX512 (AC/DC12-24V, 1A, X8)
<b>HOUSING</b>	Sheet metal silver powder finishing
<b>INGRESS PROTECTION RATING</b>	IP20
<b>STORATION TEMPERATURE</b>	-20°C-60°C
<b>DIMENSION</b>	L165 x W55 x H40mm
<b>WIEGHT</b>	300g

► **PHYSICAL DIMENSIONS:**



### 1. DMX512 connection mode (1)



### 1. DMX512 connection mode (2)

