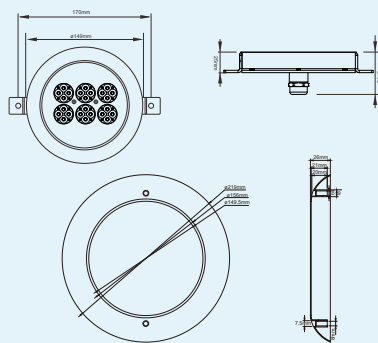


Version C



Product Size



Specification

Model No.:	RS-UW24W316X-CW(88456)
Front cover & Housing:	Stainless steel 316L
Dimensions:	D219*H25mm
Tempered Glass:	8mm thickness
LED chip:	Cree
LED Q'ty:	18pcs 1W LED / 24pcs 1W LED
Cable gland:	Stainless steel 316L PG13.5
Driver:	Constant current driver
Lens:	Clear, Bead
Beam Angle Options:	10° 30° 60°
Power Cable:	AWG 3/18 or AWG 5/18 SOW rubber cable
Protection Class:	IP68
Environment:	Dry / Submerged
Mounting Hardware:	Surface Mounted System
Net Weight:	2.5kgs with 1.5m cable
Lifetime:	>50000H

Order information

Item code	Color	Light source(w)	Line Way	Input Voltage (v)	Operating current (mA)	Consumption (w)	Luminous (lm)
88456.181.01	2700-3000K	18*1	V+/V-	DC12-24	1500 / 750	18	1620
88456.181.02	4000-4500K	18*1	V+/V-	DC12-24	1500 / 750	18	1710
88456.181.03	5000-5500K	18*1	V+/V-	DC12-24	1500 / 750	18	1800
88456.181.04	6000-6500K	18*1	V+/V-	DC12-24	1500 / 750	18	1800
88456.181.05	Red	18*1	V+/V-	DC12-24	1500 / 750	18	450
88456.181.06	Green	18*1	V+/V-	DC12-24	1500 / 750	18	1080
88456.181.07	Blue	18*1	V+/V-	DC12-24	1500 / 750	18	540
88456.181.08	Yellow	18*1	V+/V-	DC12-24	1500 / 750	18	1260
88456.181.09	RGB-DMX512 (3 channel)	18*1	V+ /V-/D+/D-/GND	DC12-24	R: 500 / 250 B: 500 / 250 G: 500 / 250	R: 6 B: 6 G: 6	R: 150 B: 180 G: 360
88456.241.12	RGBW-DMX512 (4 channel)	24*1	V+ /V-/D+/D-/GND	DC12-24	R: 500 / 250 B: 500 / 250 G: 500 / 250 W: 500 / 250	R: 6 B: 6 G: 6 W: 6	R: 150 B: 180 G: 360 W: 420

